

## ADDENDUM | No. 1

<b>PROJECT</b>	<b>Iowa Segment 4 &amp; 5 From Hull to Sheldon, IA</b>
<b>BID DATE</b>	2:00 P.M.                      Local Time - Central                      June 28th, 2022
<b>BID LOCATION</b>	Lewis & Clark Regional Water System Office 46986 Monty Street, Tea, SD 57064
<b>ISSUE DATE</b>	6-22-22
<b>NOTICE</b>	Failure to acknowledge all addenda in the BID may cause rejection of the BID. See Instructions to Bidders.

### SCOPE OF THIS ADDENDUM

The following becomes a part of the original project manual and drawings, taking precedence over the items that may conflict. The bidder shall note receipt and make acknowledgment of the Addendum on his/her bid form, incorporating its provision in his/her bid.

### PROJECT MANUAL

The following additions, changes and clarifications have been made to the Project Manual.

#### Section 02303 - PVC Pipe with D.I. Fittings

DELETE Attachment A and B on page 02303-19 in its entirety.

DELETE Attachment A and B on page 02303-20 in its entirety.

DELETE Attachment A on page 02303-21 in its entirety.

DELETE Attachment A on page 02303-22 in its entirety.

DELETE Attachment B on page 02303-23 in its entirety.

DELETE Attachment C on page 02303-24 in its entirety.

DELETE Attachment C on page 02303-25 in its entirety.

DELETE Attachment C on page 02303-26 in its entirety.

DELETE Attachment C on page 02303-27 in its entirety.



## DRAWINGS

The following additions, changes and clarifications have been made to the Drawings.

### Drawing Sheets 97.

DELETE the previous Sheet 97 dated 5-31-22, and REPLACE with the attached Sheet 97, Rev. No. 1 dated 6-21-22 in its place.

This drawing sheet has been revised to call out 6-inch pipe material on the Blow-Off Assembly detail.

#### NOTE

The Plan Holders List and Addendums are available on our website at <http://www.bannerassociates.com> by clicking on **View Bid Information / Project Name / Project Information** link.

Project Manual and Drawing inquiries regarding the Work should be directed to:

## CONTACT PERSON(S)

Banner Associates, Inc.      Tel 1-605-692-6342 | Toll Free 1-855-323-6342 | Fax 1-605-692-5714

Scott Vander Meulen      Project Manager      scottvm@bannerassociates.com

RUSTNOT      Tel 1-208-384-9752 | Cell 1-208-867-5814 | Fax

Bill Spickelmire      Cathodic Protection      bspickelmire@rustnotconsulting.com

## ATTACHMENTS

1. Drawing Sheet 97

I HEREBY CERTIFY THAT THIS ENGINEERING DOCUMENT WAS PREPARED BY ME OR UNDER MY DIRECT PERSONAL SUPERVISION AND THAT I AM A DULY LICENSED PROFESSIONAL ENGINEER UNDER THE LAWS OF THE STATE OF IOWA.

6-22-22

(SIGNATURE)

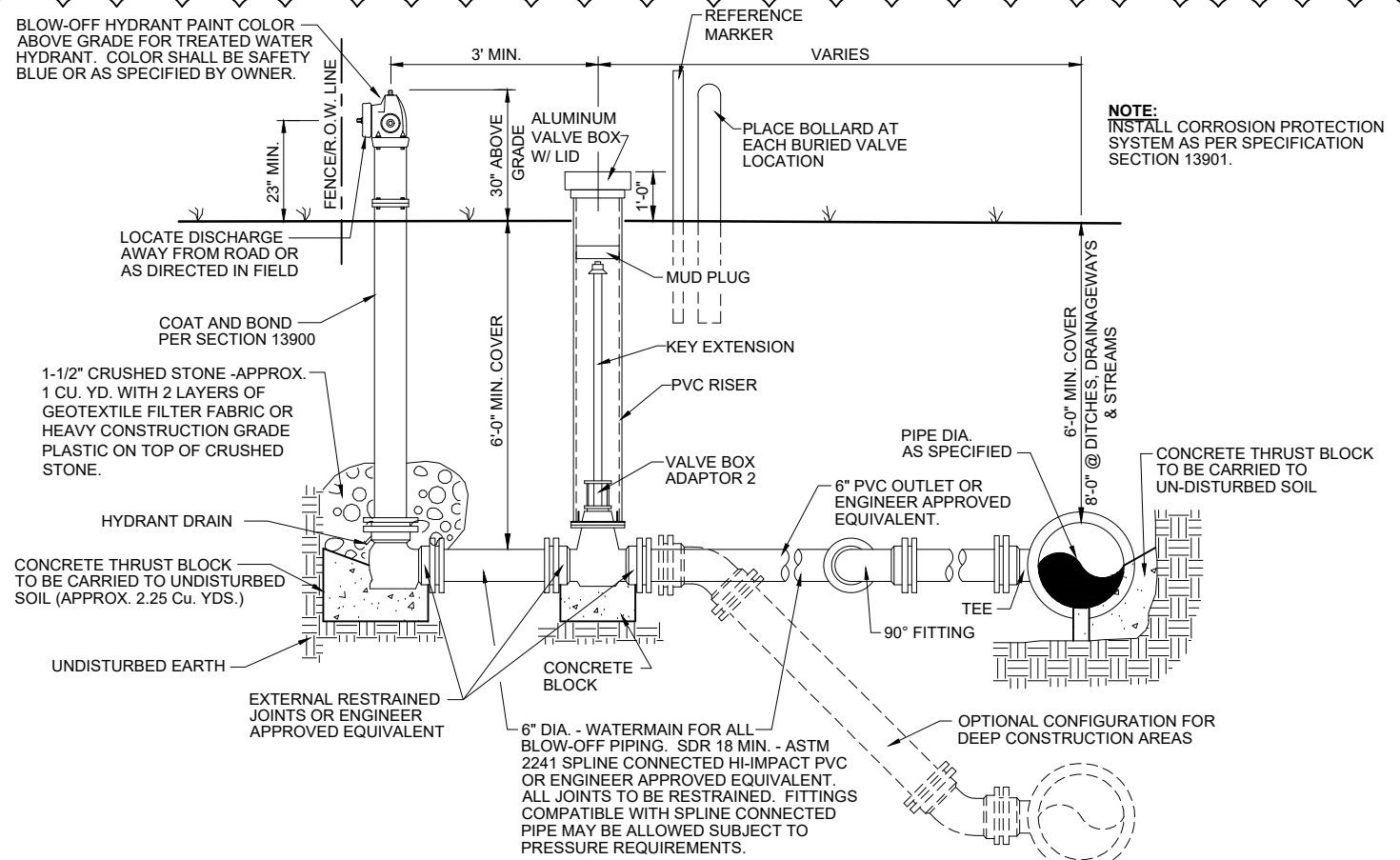
(DATE)

SCOTT E. VANDER MEULEN

LICENSE NUMBER P24967

MY LICENSE RENEWAL DATE IS DECEMBER 31, 2023

PAGES OR SHEETS COVERED BY THIS SEAL: ALL



**LICENSED PROFESSIONAL ENGINEER**

SCOTT E. VANDER MEULEN  
P24967

IOWA

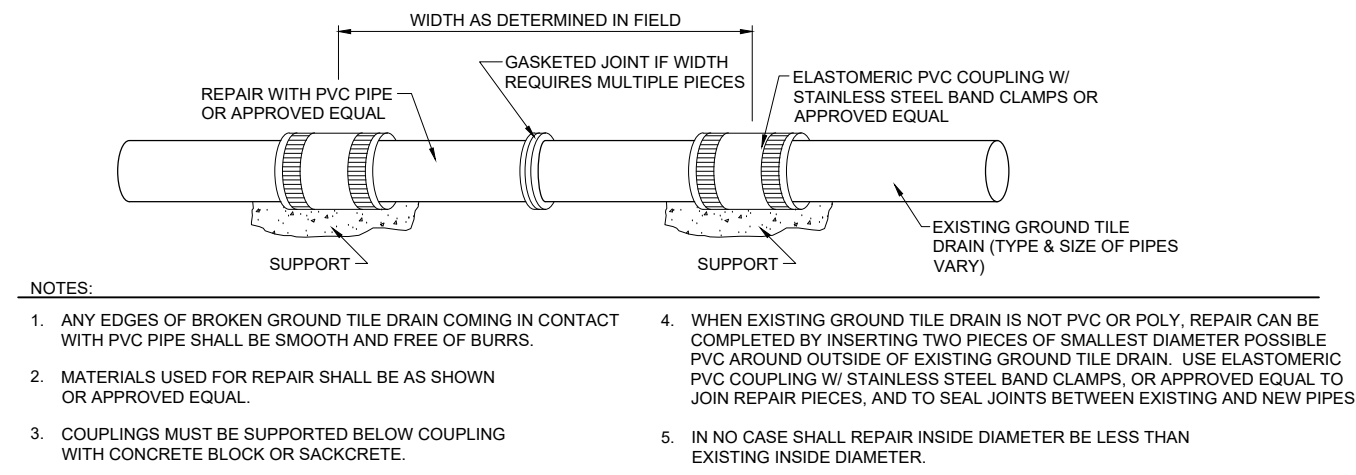
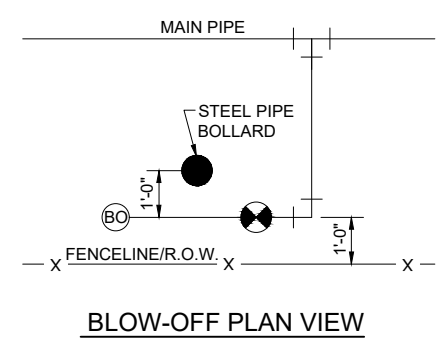
I HEREBY CERTIFY THAT THIS ENGINEERING DOCUMENT WAS PREPARED BY ME OR UNDER MY DIRECT PERSONAL SUPERVISION AND THAT I AM A DULY LICENSED PROFESSIONAL ENGINEER UNDER THE LAWS OF THE STATE OF IOWA.

6-22-22

(SIGNATURE) (DATE)

SCOTT E. VANDER MEULEN  
LICENSE NUMBER P24967  
MY LICENSE RENEWAL DATE IS DECEMBER 31, 2023

PAGES OR SHEETS COVERED BY THIS SEAL:  
97



1

